

# Model EC600SJP

TELESCOPIC BOOM LIFTS



## MORE ECONOMIC

- Electric power for zero emissions and near-silent running indoors.

## MORE PRODUCTIVE

- Enjoy added muscle with efficient direct electric drive.

## MORE ACCESS

- Get great access to hard-to-reach places with near-vertical jib positioning and 180-degree side-to-side movement.

## SMART DESIGN

- Enjoy industry leading upcycles so you can work longer with higher productivity.

Preliminary version



## Standard Features

- Side entry with drop bar mid rail
- Multiple function operation
- Full proportional drive joystick control with integral thumb steer switch
- Full proportional main boom and swing joystick control
- Multiple speed control for lower boom, telescope, jib and platform rotate
- Selectable creep speed on drive / lift and swing functions
- 1.22 m articulating jib
- JibPLUS® with 4 way axis 1.24m Jib
- 180 degree powered platform rotator
- Platform console machine status light panel \*
- Load sensing system
- AC power cable to platform
- Two wheel direct electric drive
- 8 x 6V 415 A/hr deep cycle batteries
- Automatic traction control
- Programmable "Personality" settings
- On-board self-diagnostic testing
- Enclosed battery / electrical compartment
- 23 amp automatic battery charger
- Automatic rear wheel brakes
- Sculptured ABS hoods
- 3 degree tilt alarm and indicator light
- 36/14LL - 22.5 foam filled non marking tyres
- Oscillating front axle
- Lifting/tie down lugs
- Ground control selector switch with key lock
- Battery condition indicator
- Hour meter
- Horn
- All motion alarm
- Platform tool tray
- Manual descent system

## Standard Specifications

- |                     |  |
|---------------------|--|
| • Electrical System | 48V DC                                 |
| • Batteries         | 8 x 6V 390A/hr AGM                     |
| • Drive Motors      | Dual Electric Traction                 |
| • Hydraulic Motor   | Perm. Magnet                           |
| • Hydraulic Pump    | Gear Pump                              |
| • Hydraulic System  | 80 L                                   |
| • Tyres             | 36/14LL-22.5 (Foam Filled/Non-Marking) |
| • Brakes            | Automatic Spring Applied               |

## Accessories & Options

- 0.76 m x 1.22 m side entry swing/ drop gate
- 0.76 m x 1.83 m side entry swing/ drop gate
- 0.76 m x 0.91 m drop bar, rear entry\*\*\*
- Tri entry 0.91 m x 1,83 m swing gate/swing gate
- Side entry with inward swing gate
- 13 mm air line to platform
- Platform worklights
- Head and tail lights
- Light package \*\*
- Amber strobe light
- Plugs & Sockets
- Acrylic console shield
- Cylinder bellows
- Skyguard with beacon
- Skyguard without beacon
- Corner storage tray
- ClearSky Locate
- ClearSky CAN
- Hostile Environment Package \*\*\*\*

\* Provides indicator lights at platform control console for system distress, low battery, tilt light, and foot switch status.

\*\* Includes head & tail lights and platform work lights.

\*\*\* Available only with drop bar type entry

\*\*\*\* Includes console cover, boom wipers and cylinder bellows.

# Model EC600SJP

## TELESCOPIC BOOM LIFTS

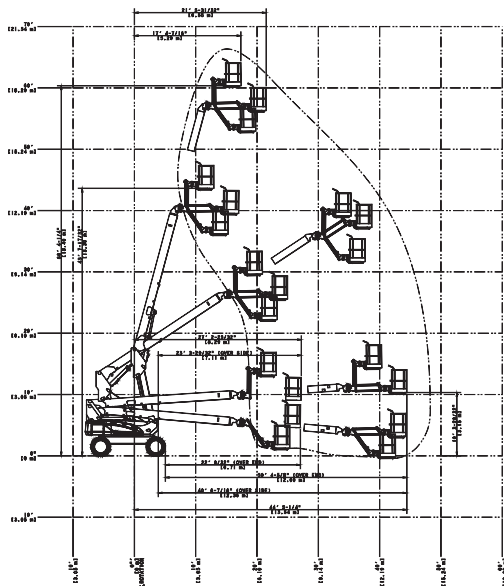
### Performance

• Working Height	20.39 m
• Platform Height	18.39 m
• Horizontal Outreach	13.54 m
• Swing Non-Continuous	400°
• Platform Capacity - Unrestricted	230 kg
• Platform Rotator (Hydraulic)	180°
• Jib - Overall Length	1.24 m
• Jib - Range of articulation	145° Vertical (+89° / -56°)
• JibPLUS® - Range of Articulation	180° Horizontal
A. Platform Size	0.76 m x 1.83 m
B. Overall Width	2.42 m
C. Tailswing (working condition)	1.23 m
D. Stowed Height	2.54 m
E. Stowed Length	10.15 m
F. Wheelbase	2.74 m
G. Ground Clearance	0.30 m
• Machine weight *	7,807 kg
• Maximum Ground Bearing Pressure **	3.9 kg/cm <sup>2</sup>
• Occupied floor area	8.9 m <sup>2</sup>
• Drive Speed	4.8 km/h
• Gradeability	30% 2WD / 4WD
• Axle Oscillation	0.20 m
• Turning Radius - Inside	1.23 m 2WD/ 1.22 4WD
• Turning Radius - Outside	4.64 m 2WD/ 4.66 4WD

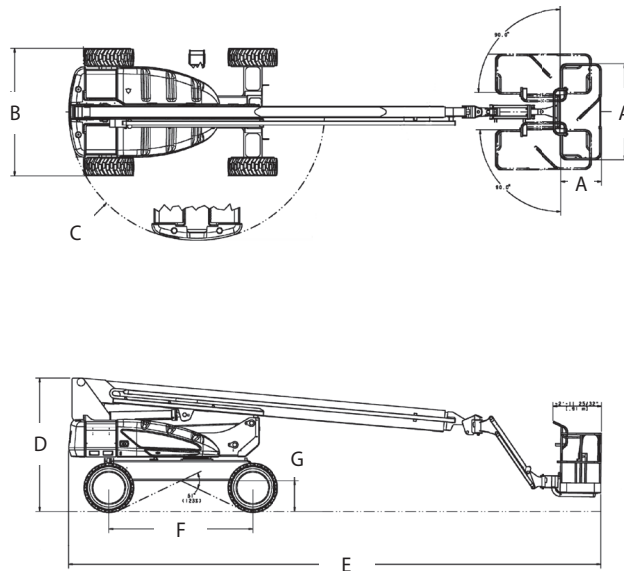


\* Certain options or country standards may increase weight and/or dimensions.  
\*\* With Standard tires

### Reach Diagram



### Dimensions



### IMPORTANT

JLG is continually researching and developing products and reserves the right to make modifications without prior notice. All data in this document is indicative. Certain options or country standards will increase weight. Specifications may change to meet country standards or with the addition of optional equipment.

Due to continuous product improvements, JLG Industries reserves the right to make specification and/or equipment changes without prior notification.



### JLG EMEA BV

Polaris Avenue 63  
2132 JH Hoofddorp  
The Netherlands  
Tel.: +31 (0)23 565 5665  
[www.jlg.com](http://www.jlg.com)

An Oshkosh Corporation Company