

Model 10MSP-S

VERTICAL PERSONNEL LIFTS



MORE ECONOMIC

- Electric drive for zero emissions and near-silent running indoors.

MORE PRODUCTIVE

- Drive and rise technology for more efficient productivity.

MORE ACCESS

- Compact dimensions mean easier access to and within confined spaces.

SMART DESIGN

- Outstanding manoeuvrability from point and go steer and drive system.



Standard Features

- Simultaneous Drive & Rise technology
- 0.69 m x 0.50 m (W x L) Operator platform self closing saloon style gates
- 0.72 m x 0.64 m (W x L) Adjustable height material tray
- Carry deck on chassis
- Safety interlocked controls
- Dual handed controller: right hand enables drive and speed setting while left hand enables platform lift and lower functionality
- Variable speed elevation control
- Lanyard attachment anchor
- 4 x Sealed 6V, 200 A/Hr maintenance-free AGM batteries
- Automatic 5 hour battery charger
- On-board diagnostics
- Automatic power-off battery saver control
- Battery discharge indicator (located on platform and base)
- Direct electric two wheel drive
- Non mark tyres and casters
- Brake release
- Low maintenance anodised aluminium mast
- Pothole Protection System (PHP)
- Remote manual descent
- Tilt light and alarm
- Key lock main power switch
- Hour meter
- Transportation tie-down lugs
- Fork truck pockets
- Horn
- Amber strobe light
- Travel alarm
- Heavy duty planetary gear hubs
- Rubber Floor Mat

Standard Specifications

- Battery
- Battery Charger
- Drive System
- Maintenance-Free 200 A/hr AGM (x 4)
- 25 Amp Automatic Direct Electric

Accessories & Options

- Powered Material Tray
- Programmable 4 digit security lock
- Travel alarm
- Guide roller system
- Fire resistant hydraulic oil
- Cargo strap
- Scanner Pocket
- Fluorescent tube caddy

Model 10MSP-S

VERTICAL PERSONNEL LIFTS

Performance

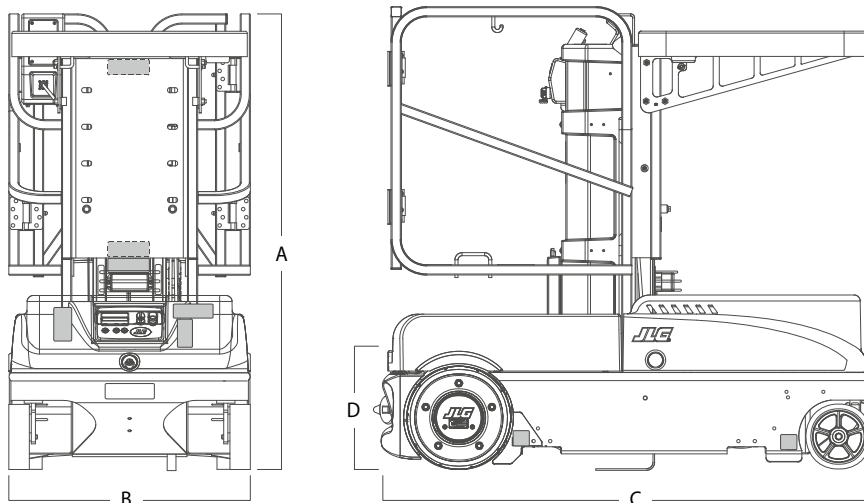
• Working Height	5.05 m
• Platform Height	3.05 m
• Operator Platform Capacity	160 kg
• Material Tray Capacity	115 kg
• Powered Material Tray Capacity	90 kg
• Carry Deck Capacity	115 kg
• Platform Size (W x L) - swing gates entry	0.69 m x 0.50 m
• Material Tray Size (W x L)	0.72 m x 0.64 m
A. Overall Height - Stowed	1.45 m
B. Overall Width - Stowed ²	0.83 m
C. Overall Length	1.55 m
D. Ground Entry Height	0.35 m
• Minimum Tray Stowed Height	0.87 m
• Maximum Tray Stowed Height	1.33 m
• Maximum Tray Elevated Height	4.09 m
• Drive Speed - Lowered	8.05 km/h
• Drive Speed - Elevated	0.8 km/h
• Distance from Platform to Wall - Over Front	0.00 m
• Distance from Platform to Wall - Over Sides	0.00 m
• Machine weight ¹	555 kg
• Maximum Ground Bearing Pressure Front Casters	10.63 kg/cm ²
• Maximum Ground Bearing Pressure Rear Wheels	6.09 kg/cm ²
• Turning Radius - inside	Zero
• Break over angle	10%
• Gradeability	15%
• Wheel Diameter - Drive Wheel	0.32 m
• Wheel Diameter - Front Castors	0.20 m



¹ Certain options or country standards may increase weight and/or dimensions.

² Without rubber bumpers Width: 0.75 m.

Dimensions



IMPORTANT

JLG is continually researching and developing products and reserves the right to make modifications without prior notice. All data in this document is indicative. Certain options or country standards will increase weight. Specifications may change to meet country standards or with the addition of optional equipment.

Due to continuous product improvements, JLG Industries reserves the right to make specification and/or equipment changes without prior notification.



JLG EMEA BV

Polaris Avenue 63
2132 JH Hoofddorp
The Netherlands
Phone: +31 (0)23 565 5665
www.jlg.com

An Oshkosh Corporation Company