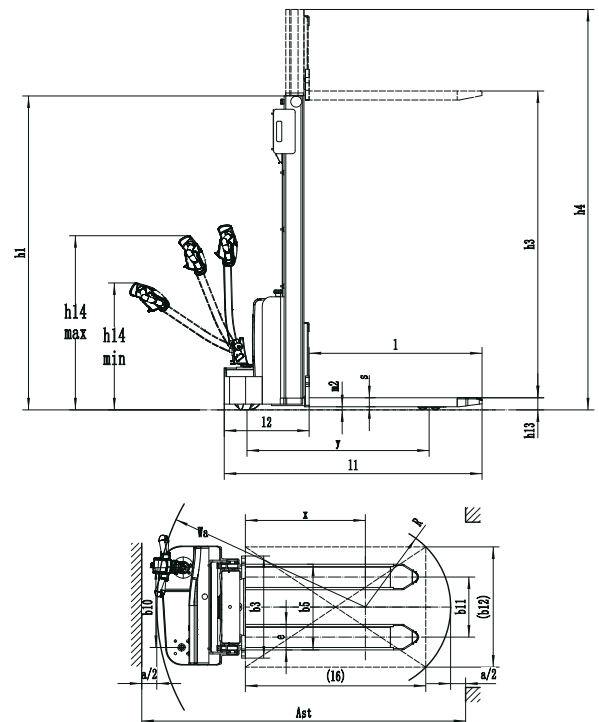


# Climax S12V300-ION: Electric stacker

- Ergonomic compact pedestrian stacker
- Ideal for applications in very confined spaces
- Creep speed function
- Maintenance-free Li-ion battery with on-board charger



Characteristics			
1.2	Model designation		S12V300-ION
1.3	Drive unit		Battery
1.4	Operator type		Pedestrian
1.5	Load capacity	Q (kg)	1200
1.6	Load center distance	c (mm)	600
1.8	Load distance, centre of drive axle to fork	x (mm)	798
1.9	Wheelbase	y (mm)	1212
Weights			
2.1	Service weight (incl. battery)	kg	570
2.2	Axle loading, loaden operator/load side	kg	650/1120
2.3	Axle loading, unladen operator/load side	kg	430/140
Wheels, Chassis			
3.1	Tyre type		PU/PU
3.2	Tyre size, operator side	mm	Ø 210 x 70
3.3	Tyre size, load side	mm	Ø 74 x 72
3.4	Balance wheels (dimensions)	mm	Ø 130 x 55
3.5	Wheels, number operator/load side (x = drive wheels)		1 x +1/4
3.6	Tread, operator side	b10 (mm)	531
3.7	Tread, load side	b11 (mm)	405
Dimensions			
4.2	Height, mast lowered	h1 (mm)	2106
4.3	Free lift	h2 (mm)	/
4.4	Lift height	h3 (mm)	3000
4.5	Extended mast height	h4 (mm)	3571
4.9	Height of tiller arm in operating position, min/max	h14 (mm)	750/1340
4.15	Fork height, lowered	h13 (mm)	85
4.19	Overall length	l1 (mm)	1713
4.20	Length to face of forks	l2 (mm)	563
4.21	Overall width	b1/b2 (mm)	792
4.22	Fork dimensions	s/e/l (mm)	60/170/1150
4.24	Fork carriage width	b3 (mm)	680
4.25	Width across forks	b5 (mm)	570
4.32	Ground clearance, center of wheelbase	m2 (mm)	25
4.33	Aisle width, 1000 x 1200 pallet crossways	Ast (mm)	2224
4.34	Aisle width, 800 x 1200 pallet lengthways	Ast (mm)	2158
4.35	Turning radius	Wa (mm)	1390
Performance			
5.1	Travel speed, loaden/unloaden	km/h	4.2/4.5
5.2	Lift speed, loaden/unloaden	m/s	0.10/0.14
5.3	Lowering speed, loaden/unloaden	m/s	0.10/0.10
5.8	Maximum gradeability, loaden/unloaden	%	4/10
5.10	Service brake		Elektromagnetic
Drive			
6.1	Drive motor performance S2 60 min	kW	0.75
6.2	Lift motor performance at S3 15%	kW	2.2
6.4	Battery voltage/rated capacity	V/Ah	24/80
6.5	Battery weight	kg	27,5
	Battery type		Maintenance free battery
	Charger incorporated	V/A	24/30
Others			
8.1	Type of drive control		DC
10.5	Steering type		mechanical
10.7	Sound level at operator's ear	dB (A)	74



TVH\* and Climax® are registered trademarks. © 04-2021, TVH Equipment NV, Brabantstraat 15, B-8790 Waregem. All rights reserved. No part of this publication may be reproduced or communicated in any form or by any means, electronic or mechanical, including copying, recording or use in an information storage or retrieval system, without prior and explicit permission of TVH Equipment NV.

ECBRSS\_2101002

# Climax®

info@climaxhandling.com · www.climaxhandling.com  
TVH Equipment NV · Brabantstraat 15 · 8790 Waregem · Belgium