

Model 1850SJ

TELESCOPIC BOOM LIFTS



MORE ECONOMIC

- Lower hydrocarbon, carbon monoxide, particulate and NOx emissions with Stage IIIB-compliant engine.

MORE PRODUCTIVE

- Reach higher with world's tallest self-propelled telescopic boom lift. Up to 56.56 m of working height.

MORE ACCESS

- Dual capacity and class-leading reach in every direction.

SMART DESIGN

- Fewer buttons and switches used to position the platform and less time spent learning to use the platform controls.

Standard Features

- Platform 0.91 x 2.44 m
- Side entry with drop bar mid rail
- Drive-Out Extendable Axles
- 173° Hydraulic Platform Rotator
- Swing-Out Engine Tray
- 12V-DC auxiliary power
- Hour meter
- Control ADE® Advanced Design Electronics System
- Gull-Wing Steel Hoods
- Platform console machine status light panel*
- Lifting/Tie Down Lugs
- Engine Distress Warning/Shut down system
- LCD Panel at Operator's Platform
- Platform Tool Tray
- 3.96 m to 6.10 m Telescoping jib
- Four wheel steer / two wheel steer / crab steer
- Powered side stow on jib
- Selectable dual platform capacity system (230 kg/450 kg)
- Four wheel drive
- Load sensing hydraulics
- Selectable creep speed on drive / lift and swing functions
- AC cable to platform
- 5 degree tilt alarm and indicator light
- Interactive Display at Ground Controls
- Horn
- Multiple function operation
- Full proportional drive joystick control with integral thumb steer switch
- Full proportional main boom and swing joystick control
- Multiple speed control for telescope
- Load sensing system
- Ground control selector switch with key lock
- Hydrostatic drive transmission
- 2.44 m articulating jib
- JLG Skyguard active system

* Provides indicator lights at platform control console for system distress, fuel level, low fuel, 5 degree tilt light, foot switch status and SkyPower® Package 2.

Standard Specifications

Power Source	
• Diesel Engine Deutz TD	74.4 kW
• Fuel Tank Capacity	200 L
Hydraulic System	
• Hydraulic Tank Capacity	284.2 L
• Auxiliary Power	12V DC
Tyres	
• Standard	445/50D710 24 ply Foam-Filled

¹ Includes platform mounted worklights and drive/backup lights.

² Includes battery heater and oil tank heater.

³ Includes console cover, boom wipers and cylinder bellows.

⁴ Includes extreme cold engine oil, fuel conditioner, engine block

heater, battery blanket, glow plugs, hydraulic tank heater, and oversized footswitch. Arctic hydraulic oil priced separately.

⁵ Not available in all markets.

Accessories & Options

- 0.91 m x 1.83 m Self closing inward swing gate
- Light Package ¹
- Soft Touch 0.91 m x 2.44 m Platform
- Proximity System with Fall Arrest
- Cold Weather Start Kit ²
- Hostile Environment Kit ³
- Flashing Amber Beacon
- Cold Package Plus ⁴
- Synthetic Biodegradable Hydraulic Oil
- SkyWelder® Package ²
- Nite Bright® Package ²
- Skyglazier package
- Skyguard beacon (ILOS)
- Arctic package
- Skypower 7,500W on-board generator package
- Generator hourmeter
- Hydraulic Oil Cooler (Deutz)
- Platform worklights
- Head & Tail Lights
- 13mm airline to platform
- All motion alarm
- Euro Plug & Socket
- Special paint colour
- All Motion Alarm
- 445/65-24 Solid Tyres
- Spark arresting type muffler



Model 1850SJ

TELESCOPIC BOOM LIFTS

Performance

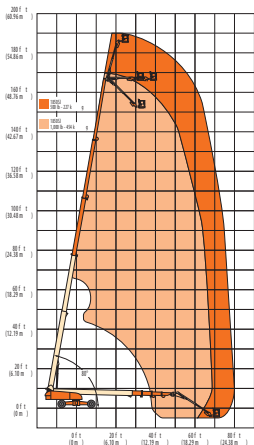
• Working Height	58.56 m
• Working Outreach	25.03 m
• Below Ground Reach	1.47 m
• Swing	360° Continuous
• Platform Capacity	
Restricted	454 kg
Unrestricted	227 kg
• Platform Rotator	173° Hydraulic
• Jib Length	3.96–6.1 m
• Jib Range of Articulation	120° (+75, -45)
A. Platform Size	0.91 m x 2.44 m
B ¹ . Overall Width (Axles Retracted)	2.49 m
B ² . Overall Width (Axles Extended)	5.03 m
C. Tailswing (working condition)	2.31 m
D. Stowed Height	3.05 m
E ¹ . Stowed Length	19.46 m
E ² . Transport length	14.58 m
F. Wheelbase (Axles Extended)	4.57 m
• Weight ^{1/2}	27,184 kg
• Max. Ground Bearing Pressure ²	8.41 kg/cm ²
• Drive Speed	4.5 km/h
• Gradeability	40%
• Turning Radius (Inside)	
Axles Retracted	7.12 m
Axles Extended	2.3 m
• Turning Radius (Outside)	
Axles Retracted	9.52 m
Axles Extended	6.6 m

¹ Certain options or country standards increase weight.

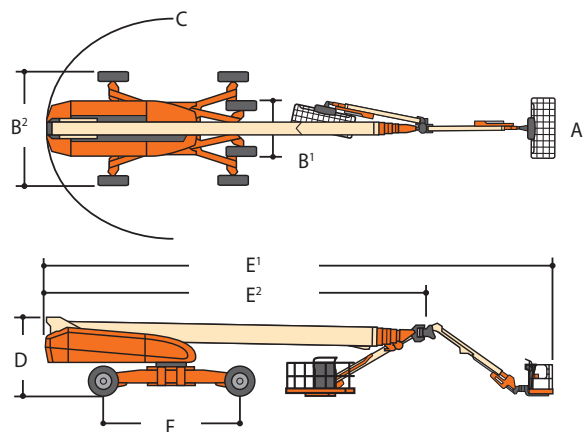
² With Standard tires



Reach Diagram



Dimensions



IMPORTANT

JLG is continually researching and developing products and reserves the right to make modifications without prior notice. All data in this document is indicative. Certain options or country standards will increase weight. Specifications may change to meet country standards or with the addition of optional equipment.

Due to continuous product improvements, JLG Industries reserves the right to make specification and/or equipment changes without prior notification.

JLG®

JLG EMEA BV

Polaris Avenue 63
2132 JH Hoofddorp
The Netherlands
Tel: +31 (0)23 565 5665
Fax: +31 (0)23 557 3750
www.jlg.com

An Oshkosh Corporation Company