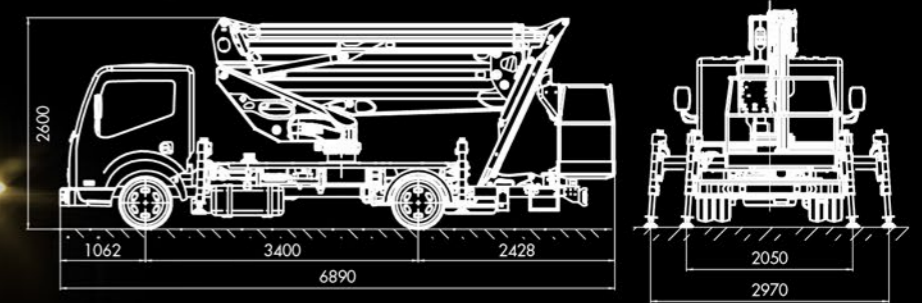


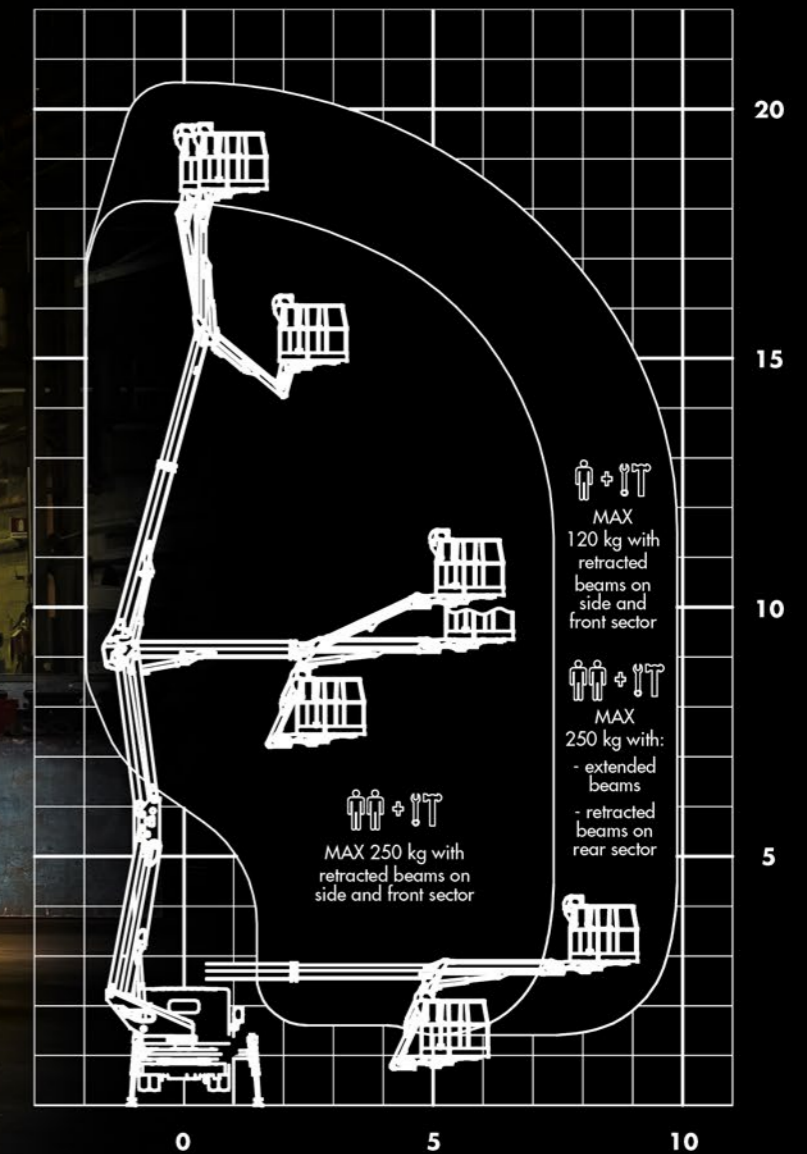
PNT 210JD4

Truck-mounted aerial lift work platform
 Piattaforma per lavoro aereo autocarrata

Overall dimensions (millimeters)



Working diagram (meters)



Specifications

- 250 kg
- 9,80 m
- 20,70 m
- 18,70 m
- 1400 x 710 x 1100 mm
- + / - 90°
- HE + HE
- Electro - hydraulic
- Aluminium
- 600°