

# Model X26J PLUS

## COMPACT CRAWLERS

### MORE ECONOMIC

- Minimal emissions and noise pollution.

### MORE PRODUCTIVE

- Reduce your set-up time with auto-levelling outriggers.
- Unrestricted 230kgs basket capacity.

### MORE ACCESS

- Equipped with track drive for easy manoeuvrability in sensitive environments.

### SMART DESIGN

- Low weight for ease of transportation and operation in weight restricted areas.



### Standard Features

- 0.69 m x 1.34 m Aluminium 2 person platform
- Slide bar rear entry
- Footswitch
- Full proportional control
- Articulating jib
- Powered platform rotator (124°)
- Remote Control (via cable to platform)
- Full Remote Control of drive and stabilization
- Multi-lingual LCD display on platform console
- Platform console position sensor and lock
- Envelope management load sensing system
- Platform designed for ease of removal/changeover
- AC Cable to platform
- 6.5 mm air line to platform
- 12.6 mm waterline to platform
- Engine protection
- Rubber Outrigger Pads
- Cylinder Rod Protection on Outriggers
- Automatic cut-out when out of level
- Powered track extensions/retraction
- 360° non-continuous turntable rotation
- Turntable alignment sensor and gauge
- Three emergency descent systems
- Electro-hydraulic controls
- Full pressure hydraulic controls
- 2nd (high) Drive speed
- Lifting/Tie down points
- Forklift pockets
- Assisted automatic stabilization

### Standard Specifications

- |                               |   |
|-------------------------------|---|
| Power Source                  |   |
| • AC electric motor           | 230V, 50Hz, 2.2kW   |
| • Kubota D902                 | 16.1 kw Diesel  |
| • Hydraulic oil tank capacity | 60 L  |
| Tracks                        |   |
| • Standard                    | 1.76 m x 0.23 m x 0.38 m<br>High profile non marking tracks |

### Accessories & Options


- 100 A/hr 83 V Lithium ion power pack incl. fast charge system
- 110 V, 50 Hz single phase power system
- 2.10 m x 0.23 m x 0.38 m High Profile Black Rubber Tracks
- 0.60 m x 0.78 m Aluminium single person platform
- Special paint colour

Note: Some options may increase lead time, and some option combinations may not be available.

# Model X26J PLUS

## COMPACT CRAWLERS

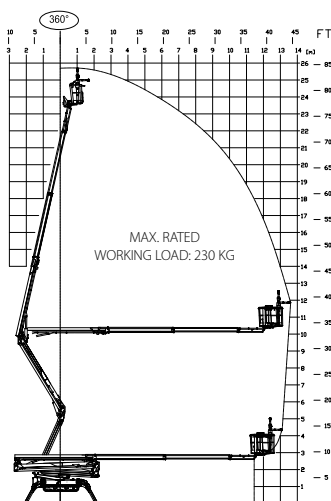
### Performance

• Working Height	25.60 m
• Horizontal Working Outreach (Std Platform)	13.75 m
• Platform capacity	 /230 kg
• Up & Over Height	10.1 m
• Swing (non continuous)	360°
• Jib - overall length	1.68 m
• Jib - range of articulation: (+/-)	89° (+0/-89°)
• Platform size (standard 2 persons)	0.69 m x 1.34 m
• Platform size (narrow one person)	0.60 m x 0.78 m
• Stowed width (with std. 2P platform)	1.34 m
• Dimensions:	
A. Stowed width (without platform)	0.99 m
B. Stowed height (on tracks)	1.99 m
C <sup>1</sup> . Stowed length (on tracks)	6.35 m
C <sup>2</sup> . Stowed length (on tracks) without Basket	5.98 m
D. Outrigger footprint	
D1. Wide	4.01 m x 3.98 m
D2. Narrow	5.4 m x 2.5 m
• Machine weight (with standard platform) <sup>1/2</sup>	4,365 kg <sup>1</sup>
• Gradeability	28.7%
• Maximum operating slope	16°
• Max. Approach / Depart angles	Front 22° / Rear 26°
• Width of Undercarriage (Retracted/Extended)	0.99 m / 1.49 m
• Max. ground bearing pressure (on outriggers)	4.51 kg/cm <sup>2</sup>
• Max. drive speed (single speed m/c) Petrol	1.1 km/h
• Basket rotation	124° (+/-62°)

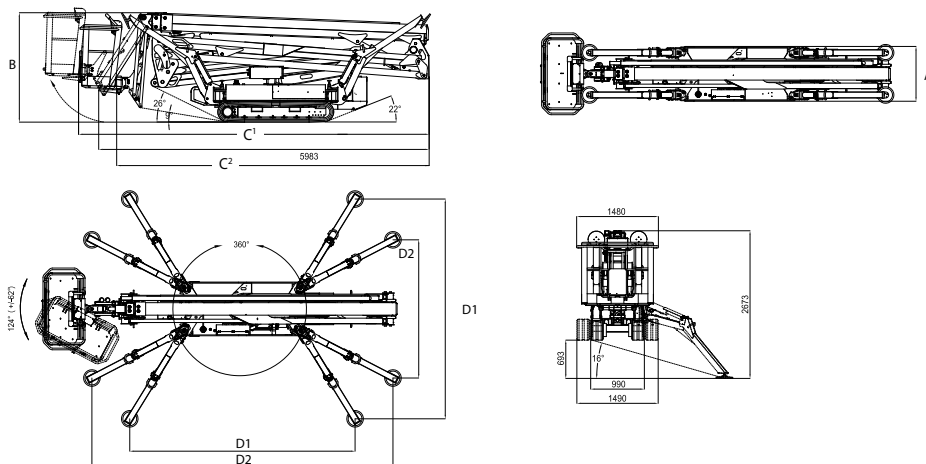


- <sup>1</sup> Machine weight (with standard platform) Lithium - Ion: 4384 kg  
<sup>2</sup> Certain options or country standards may increase weight and/or dimensions.

### Reach Diagram



### Dimensions



REV. 03/2014  
 DIMENSIONS REPORTED IN THIS DRAWING ARE NOMINAL. THE REAL VALUE OF EACH DIMENSION CAN BE INFLUENCED BY TOLERANCES IN THE MANUFACTURE OF THE COMPONENTS, PLAY IN THE CONNECTIONS, ELASTIC DEFORMATIONS DUE TO THE EFFECTS OF FORCES

### IMPORTANT

JLG is continually researching and developing products and reserves the right to make modifications without prior notice. All data in this document is indicative. Certain options or country standards will increase weight. Specifications may change to meet country standards or with the addition of optional equipment.

Use only JLG approved attachments with proper material handler model/attachment load capacity charts displayed in the operator's cab.

Due to continuous product improvements, JLG Industries reserves the right to make specification and/or equipment changes without prior notification.



### JLG EMEA BV

Polaris Avenue 63  
 2132 JH Hoofddorp  
 The Netherlands  
 Tel: +31 (0)23 565 5665  
 Fax: +31 (0)23 557 3750  
[www.jlg.com](http://www.jlg.com)

An Oshkosh Corporation Company